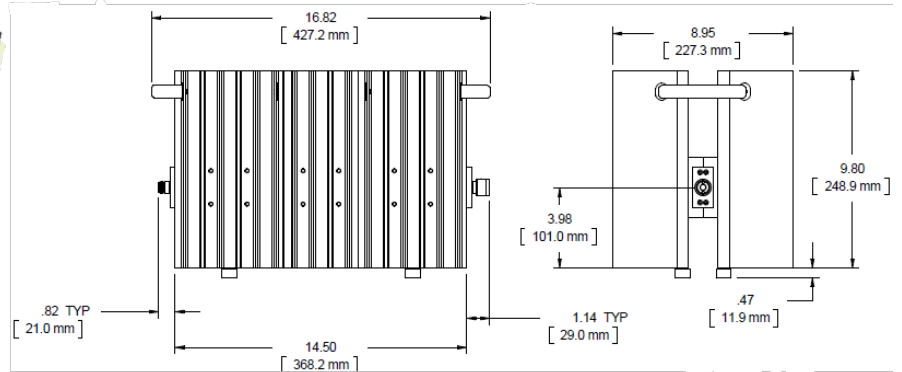
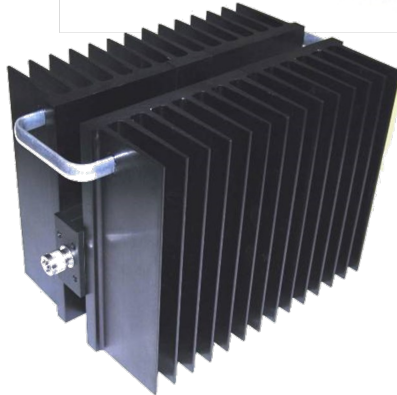


# Termination

# WA1470/6

## DC - 6 GHz

## 1000 WATTS



## Features

Type N, DIN 7/16 and 4.3-10 stainless steel Male/Female connectors per MIL-STD-348A. Type N connector interface dimensions mate nondestructively with MIL-PRF-39012. DIN 7/16 connector conforms to DIN 47223, IEC 169-4, VG 95250, CECC 22190. 4.3-10 connectors mate non-destructively with DIN EN 61169-54 and IEC 61169-54 interfaces. Designed to meet MIL-DTL-3933 environmental specification.

## Maximum VSWR:

Frequency (GHz)	VSWR (MAX)
DC - 3.0	1.25
3.0-5.0	1.30
5.0-6.0	1.50

## Specifications

**Nominal Impedance:** 50 ohms.

**Frequency Range:** DC - 6.0 GHz.

**Power Rating:** 1000 W maximum average power rated @ peak 25°C ambient temperature, de-rated linearly to 100 W at 125°C. 10 kW peak power (5 microsecond pulse width, 5% duty cycle).

**Temperature Range:** -55°C to +125°C.

**Construction:** Black finned aluminum alloy body with passivated stainless steel connectors. Gold plated beryllium copper female and male contacts.

## Dimensions: (see above)

**Weight:** 19.5 (687.84)

**Height:** 248.9 (9.80)

**Width:** 228.5 (9.00)

*Note: Dimensions are given in mm (in), or kg (oz). Weight figure is nominal, with our standard connector configuration. Additional connector options may be available.*