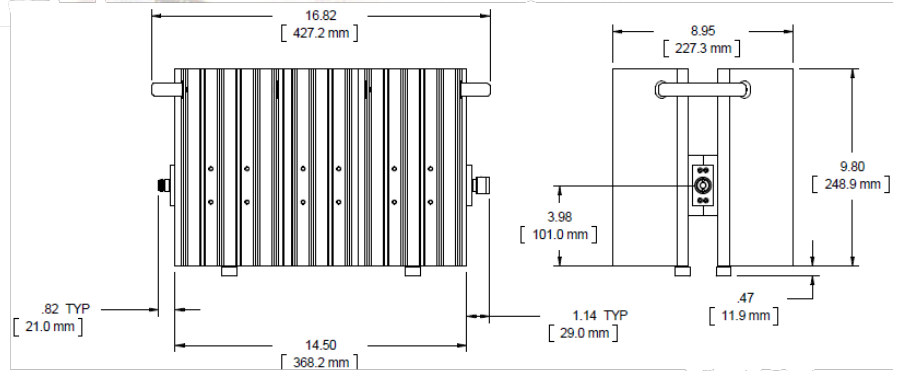
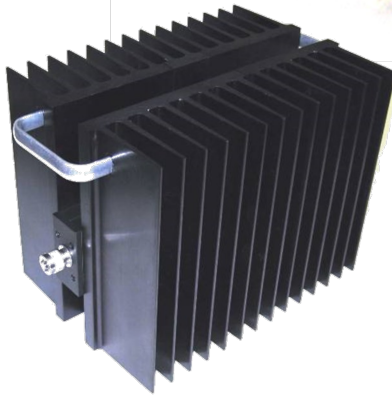


Fixed Coaxial Attenuator

WA70/6

DC – 6 GHz

1000 WATTS



Features

Type N, DIN 7/16 and 4.3-10 stainless steel Male/Female connectors per MIL-STD-348A. Type N connector interface dimensions mate nondestructively with MIL-PRF-39012. DIN 7/16 connector conforms to DIN 47223, IEC 169-4, VG 95250, CECC 22190. 4.3-10 connectors mate non-destructively with DIN EN 61169-54 and IEC 61169-54 interfaces. Designed to meet MIL-DTL-3933 environmental specification.

Specifications

Nominal Impedance: 50 ohms.

Frequency Range: DC to 6.0 GHz

Nominal dB Values: 20, 30, 40, 50 dB

Power Coefficient: < 0.0001 dB/dB/W;
Unidirectional in power.

Power Rating: **1000 W** maximum average power rated @ peak 25°C ambient temperature, de-rated linearly to 100 W at +125°C. **10 kW** peak power (5 microsecond pulse width; 5% duty cycle).

Temperature Range: -55°C to +125°C.

Temperature Coefficient: <0.0004 dB/dB/°C.

Standard Nominal Values and Deviations:

Attenuation (dB)	Accuracy +/- dB	Accuracy +/- dB
	DC-4.0 GHZ	DC-4.0-6.0 GHZ
20,30,40,50	± 2.5	+4/-2.5

Maximum VSWR:

Frequency (GHz)	VSWR (MAX)
DC - 3.0	1.25
3.0-5.0	1.30
5.0-6.0	1.50

Dimensions: (see above)

Weight: 19.5 (687.84)

Height: 262(10.3)

Width: 227 (9.0)

Note: Dimensions are given in mm (in), or kg (oz). Weight figure is nominal, with our standard connector configuration. Additional connector options may be available.