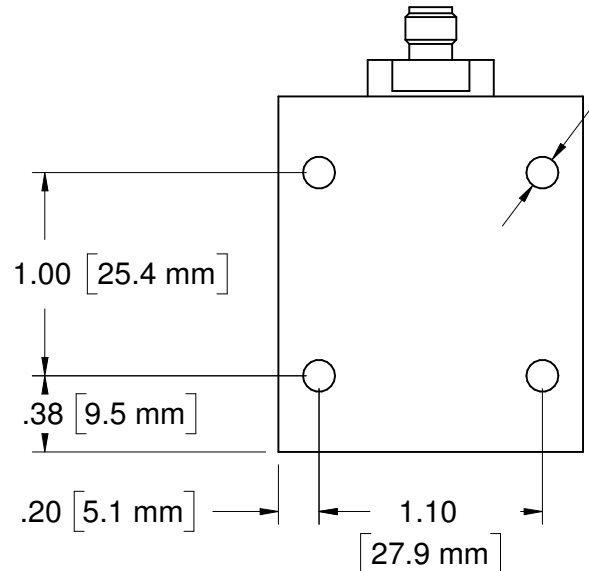
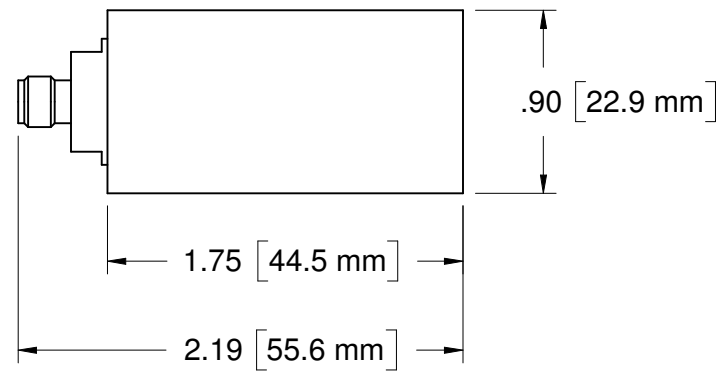
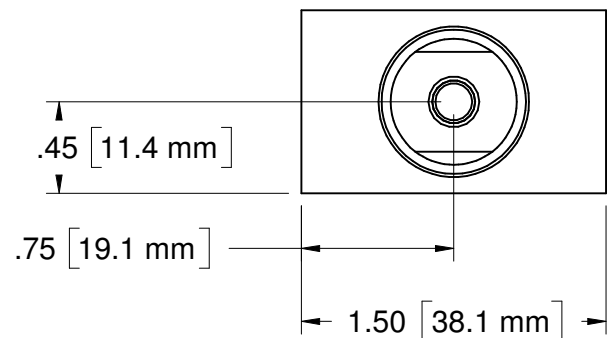
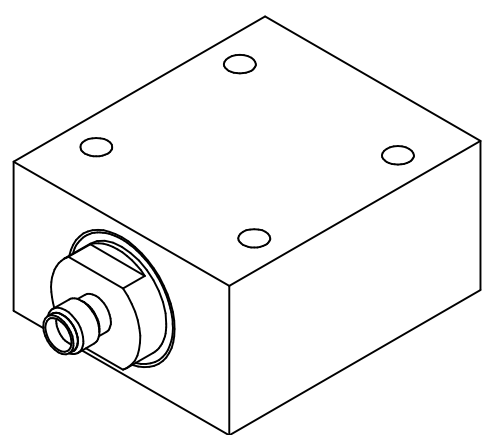


NOTES:
1.

REVISIONS				
ZONE	REV	DESCRIPTION	DATE	APPROVED



Ø.16 ▽ THRU [Ø4.0 mm]
4 PLCS FOR MOUNTING



PROPERTY OF nVISION INDUSTRIES, INC, COMPANY CONFIDENTIAL

DIMENSIONS IN INCHES 3 PLCS +/- .003 2 PLCS +/- .01 FRACTIONS +/- 1/64 ANGLES +/- 1/2 DEG UNLESS OTHERWISE SPECIFIED	DRAWN D. HEFT	DATE 11/27/12	WEINSCHEL ASSOCIATES 19212 ORBIT DRIVE GAITHERSBURG, MD 20879 OUTLINE DRAWING WA1421-1 TERMINATION				
	CHECKED						
	MAT'L: NA	QA		SIZE B	FSCM NO. 0H3E9	DWG NO. B	REV 1
	FINISH: NA	APPROVED		SCALE NONE	SHEET 1 OF 1		