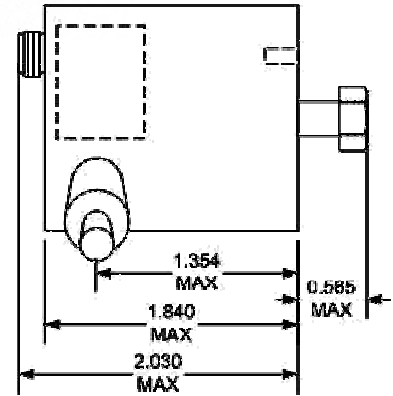
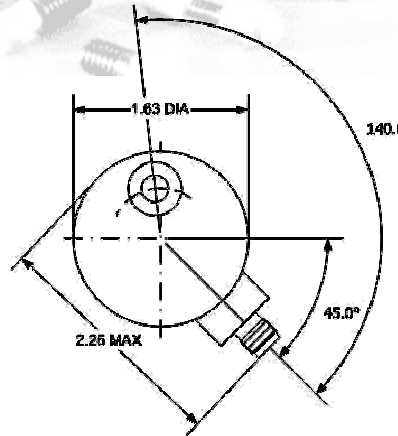


DC – 1.0 GHz

1 WATT



## Features

**Attenuation Range:** 15 dB

**Low Residual Insertion Loss:** <0.5 dB nominal

**Rugged Construction:** Designed to meet the environmental requirements of MIL-DTL-24215. Tested for Shipboard environments.

**Connectors:** SMA Connectors per MIL-PRF-39012 and MIL-STD-348

**Excellent Reset-ability:** 10:1 Turns Ratio

**Panel Mount Configuration**

## Specifications

**Nominal Impedance:** 50 ohms

**Frequency Range:** DC - 1.0 GHz

**Attenuation Range:** 0 to 15 dB

**Insertion Loss:** 0.5 dB, nominal

**VSWR:** 1.5:1, max

**Power Rating:** 1 watts average, 0.5 kW pk, to 25°C ambient temperature, de-rated linearly to 0.5 watts at 85°C.

**Power Coefficient:** 0.005 dB/dB/W, max

**Temperature:**  
Operating: 0°C to +85°C  
Non-Operating: -55°C to +125°C

**Temperature Coefficient:** 0.001 dB/dB/° C, max

**Phase Shift with Change in Attenuation:**  
1° / dB x f (GHz) maximum

**Connectors:** SMA Female connectors per MIL-STD-348A, interface dimensions mate nondestructively with MIL-PRF-39012.

**Construction:** Aluminum body, stainless steel connectors, gold-plated beryllium copper contacts.

**Weight:** 0.23 kg (0.5 lb), max

Note: Dimensions are given in inches, unless otherwise specified.



## WEINSCHEL ASSOCIATES

TEL: 877.948.8342 / 301.963.4630 ♦ Fax: 301.963.8640

WEB: <http://www.WeinschelAssociates.com>

EMAIL: [sales@WeinschelAssociates.com](mailto:sales@WeinschelAssociates.com)

135

Specification  
Subject to change  
without notice