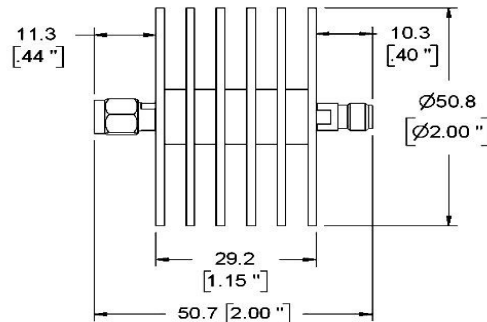


Fixed Coaxial Attenuator 3.5mm Connectors

MODEL WA74

DC – 26.5 GHz

25 WATTS



Features

Designed to meet MIL-DTL-3933 environmental specification. Compact construction to meet a wide range of design requirements.

Specifications

Nominal Impedance: 50 ohms.

Frequency Range: DC -26.5 GHz.

Nominal dB Values: 3 - 30 dB.

Power Sensitivity: < 0.0015 dB/dB/W.

Power Rating: 25W CW / 500W peak to 25°C ambient temperature, derated linearly to 2.5 watts at 125°C, 500 watt peak (5 µsec pulse width; 2.5% duty cycle). Power rating into output is 10% of the average power rating.

Standard Nominal Values and Deviations:

Attenuation (dB)	Accuracy ± dB
	DC – 26.5 GHz
3	0.70
6, 10	1.00
20, 30	1.50

Calibration: Insertion Loss and VSWR performed across frequency range. Calibration test data available at additional cost.

Temperature Coefficient: < 0.0004 dB/dB/°C.

Temperature Range: -55°C to +125°C.

Construction: Black finned aluminum alloy body with passivated stainless steel connectors. Gold plated beryllium copper contacts.

Connectors: 3.5mm stainless steel M/F connectors per MIL-STD-348A, interface dimensions mate nondestructively with MIL-PRF-39012.

Maximum VSWR:

Frequency (GHz)	VSWR
DC – 18.0	1.25
18.0 – 26.5	1.30

Weight:

100g / 3.5 oz.

Physical Dimensions:

Length:

Connector	Length
3.5mm M/F	50.7 (2.00)

Diameter: 50.8 (2.00).

Note: Dimensions are given in mm (inches) and are maximum, unless otherwise specified.



WEINSCHEL ASSOCIATES

TEL: 877.948.8342 / 301.963.4630 ♦ Fax: 301.963.8640

WEB: <http://www.WeinschelAssociates.com>

EMAIL: sales@WeinschelAssociates.com

63

Specification
Subject to change
without notice