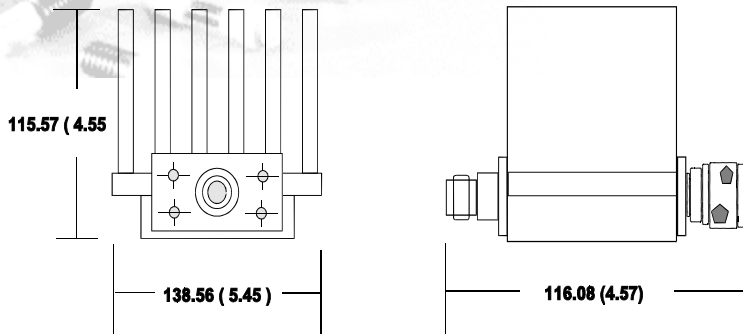


Fixed Coaxial Attenuator High Power

MODEL WA65

DC – 2.5 GHz

150 WATTS



Features

Type N or DIN 7/16 stainless steel M/F connectors per MIL-STD-348A, interface dimensions mate non-destructively with MIL-PRF-39012. Designed to meet MIL-DTL-3933 environmental specification.

Specifications

Nominal Impedance: 50 ohms.

Frequency Range: DC – 2.5 GHz.

Nominal dB Values: 6 - 30 dB.

Power Sensitivity: < 0.0003 dB/dB/W;
Unidirectional in power.

Power Rating: 150 watt CW/ 10KW peak (5 μ sec pulse width; 1.5% duty cycle). Maximum power into output port is 20 watts average.

Temperature Range: -55°C to 100°C.

Temperature Coefficient: < 0.0004 dB/dB/°C.

Standard Nominal Values and Deviations:

Attenuation (dB)	Accuracy \pm dB
3,6,10,20,30	1.00

Construction: Black aluminum alloy body with passivated stainless steel connectors. Female gold plated beryllium copper contacts, stainless steel male contacts.

Calibration: Insertion Loss and VSWR performed across frequency range. Calibration test data available at additional cost.

Maximum VSWR:

Frequency (GHz)	VSWR
DC - 2.5	1.20

Physical Dimensions:

Length: 116.08 (4.57).

Width: 138.56 (5.45).

Height: 115.57 (4.55).

Weight: .86 kg / 1.9 lbs.

Note: Dimension are given in mm (inches) and are maximum unless otherwise specified.



WEINSCHEL ASSOCIATES

TEL: 877.948.8342 / 301.963.4630 ♦ Fax: 301.963.8640

WEB: <http://www.WeinschelAssociates.com>

EMAIL: sales@WeinschelAssociates.com