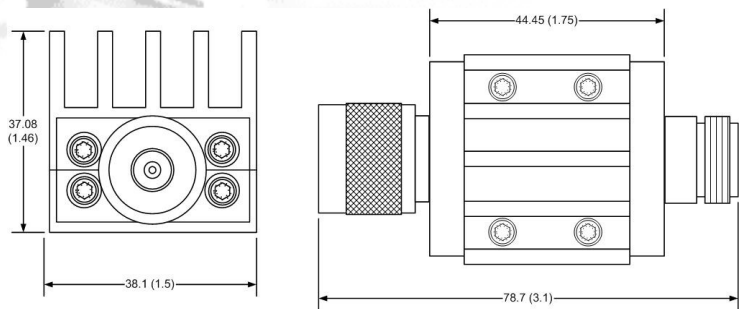
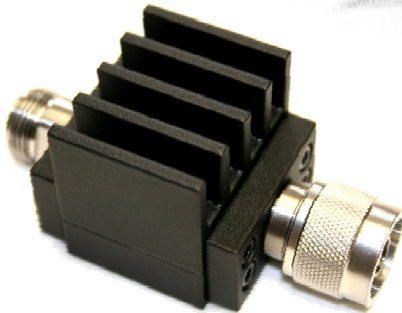


Fixed Coaxial Attenuator

MODEL WA34B

DC – 4.0 GHz

25 WATTS



Features

Type N, SMA, or DIN 7/16 stainless steel M/F connectors per MIL-STD-348A, interface dimensions mate nondestructively with MIL-PRF-39012. Designed to meet MIL-DTL-3933.

Specifications

Nominal Impedance: 50 ohms.

Frequency Range: DC - 4.0 GHz.

Nominal dB Values: 3 - 40 dB.

Power Sensitivity: < 0.0005 dB/dB/W;
Bidirectional in power.

Power Rating: 25 watts average to 25°C ambient temperature, derated linearly to 2.5 watts at 125°C. 5 kilowatt peak (5 µsec pulse width; 0.5% duty cycle).

Temperature Range: -55°C to +125°C.

Temperature Coefficient: < 0.0004 dB/dB/°C.

Standard Nominal Values and Deviations:

Attenuation (dB)	Accuracy ± dB
	DC – 4.0 GHz
3,6,10,20,30	0.6
40	1.0

Construction: Black aluminum alloy body with passivated stainless steel connectors. Gold plated beryllium copper contacts.

Calibration: Insertion Loss and VSWR performed across frequency range. Calibration test data available at additional cost.

Maximum VSWR:

Frequency (GHz)	VSWR
DC - 2.0	1.10
2.0 - 4.0	1.20

Weight:

Type N .17 kg / 6 oz.
DIN 7/16 .18 kg / 7 oz.

Physical Dimensions:

Length:

Connector Type	Length
Type N	81.53 (3.21)
DIN 7/16	106.68 (4.80)
SMA	71.12 (2.80)

Note: Dimensions are given in mm (inches) and are maximum, unless otherwise specified



WEINSCHEL ASSOCIATES

TEL: 877.948.8342 / 301.963.4630 ♦ Fax: 301.963.8640

WEB: <http://www.WeinschelAssociates.com>

EMAIL: sales@WeinschelAssociates.com