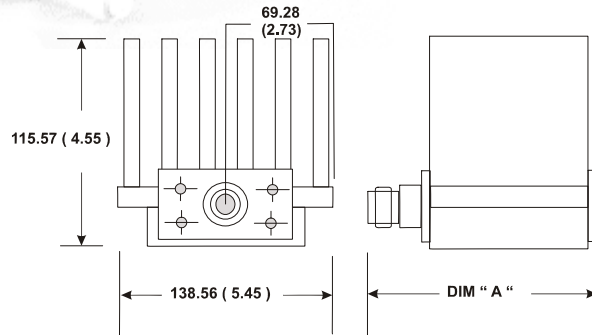
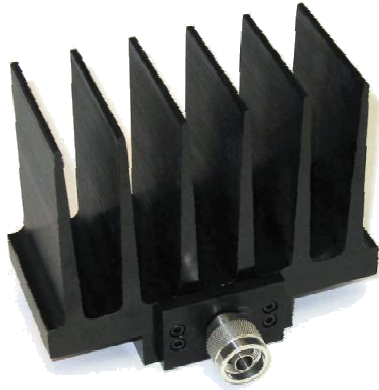


TERMINATION

MODEL WA1465

DC – 2.5 GHz

150 WATTS



Features

Stainless Steel Type N or 7/16 DIN M/F connectors per MIL-STD-348A, interface dimensions mate nondestructively with MIL-PRF-39012.

Specifications

Nominal Impedance: 50 ohms

Frequency Range: DC – 2.5 GHz

Operation: Horizontal or Vertical

Maximum VSWR: 1.20

Calibration: VSWR performed across frequency range. Calibration test data available at additional cost.

Power Rating: 150 watt maximum rated average power to 25°C ambient temperature, mounted horizontally or vertically, (*with unobstructed air flow for natural convection cooling*) de-rated linearly to 0 watts at 125°C, 10 kilowatt peak (5 µsec pulse width; .75% duty cycle).

Temperature Range: Full power from -55°C to 100°C, Case temperature. -55°C to 125°C

Construction: Passivated stainless steel connectors with black fined aluminum body. Gold plated beryllium copper female contacts or passivated stainless steel male contacts.

Weight:

Type N .91 Kg/ 2 lbs.
7/16 DIN 1.0 Kg/ 2.2 lbs.

Physical Dimensions: Connector Options

Connector	Dimension "A"
Type N Male (-4)	96.6 (3.8)
Type N Female (-3)	88.9 (3.5)

Note: Dimensions are given in mm (inches) and are maximum, unless otherwise specified



WEINSCHEL ASSOCIATES

TEL: 877.948.8342 / 301.963.4630 ♦ Fax: 301.963.8640

WEB: <http://www.WeinschelAssociates.com>

EMAIL: sales@WeinschelAssociates.com

113

Specification
Subject to change
without notice