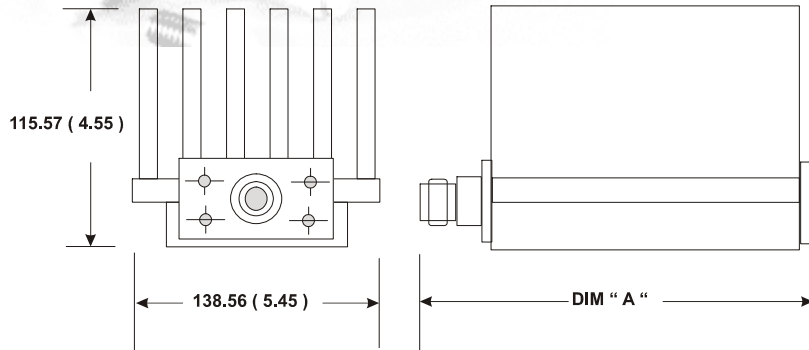


TERMINATION

MODEL WA1460

DC – 5.0 GHz

500 WATTS



Features

Stainless Steel Type N or 7/16 DIN connectors per MIL-STD-348A, interface dimensions mate nondestructively with MIL-PRF-39012.

Specifications

Nominal Impedance: 50 ohms

Frequency Range: DC – 5.0 GHz

Operation: Horizontal or Vertical

Maximum VSWR:

DC - 2.0 GHz: 1.15
2.0 - 5.0 GHz: 1.25

Power Rating: 500 watt maximum rated average power to 25°C ambient temperature, mounted horizontally, de-rated linearly to 50 watts at 125°C, 10 kilowatt peak (5 µsec pulse width; 5% duty cycle).

Calibration: VSWR performed across frequency range. Calibration test data available at additional cost.

Temperature Range: -55°C to +125°C

Construction: Passivated stainless steel connectors with black fined aluminum body. Gold plated beryllium copper contacts or passivated stainless steel male contacts.

Weight:

Type N 3.64 Kg/ 8 lbs.
7/16 DIN 3.72 Kg/8.2 lbs.

Physical Dimensions: N Type Connector

Connector	Dimension "A"
Type N Male (-4)	281.94 (11.10)
Type N Female (-3)	273.81 (10.78)
DIN 7/16 DIN Female (-8)	291 (11.6)
DIN 7/16 DIN Male (-9)	311 (12.3)
4.1F	279 (11.0)
4.1M	290 (11.4)

Note: Dimensions are given in mm (inches) and are maximum, unless otherwise specified



WEINSCHEL ASSOCIATES

TEL: 877.948.8342 / 301.963.4630 ♦ Fax: 301.963.8640

WEB: <http://www.WeinschelAssociates.com>

EMAIL: sales@WeinschelAssociates.com