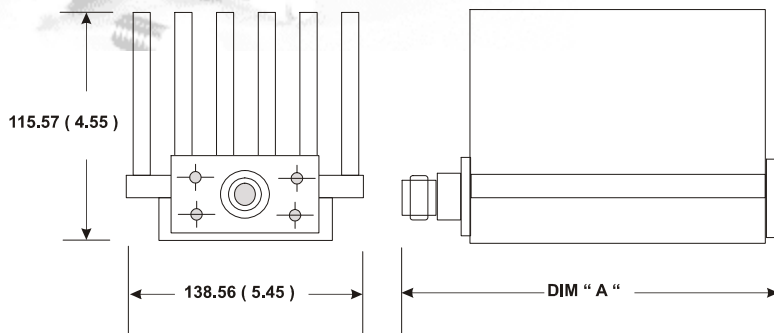


TERMINATION

MODEL WA1451

DC – 8.5 GHz

500 WATTS



Features

Stainless Steel Type N, or 7/16 DIN connectors per MIL-STD-348A, interface dimensions mate nondestructively with MIL-PRF-39012.

Useable to 10 GHz.

Specifications

Nominal Impedance: 50 ohms

Frequency Range: DC - 8.5 GHz

Operation: Horizontal or Vertical

Power Rating: 500 watt maximum rated average power to 25°C ambient temperature, mounted horizontally, de-rated linearly to 50 watts at 125°C, 5 kilowatt peak (5 µsec pulse width; 5% duty cycle).

Maximum VSWR:

Frequency (GHz)	VSWR
DC - 4.0	1.25
4.0 – 8.5	1.35

Temperature Range: -55°C to +125°C.

Construction: Passivated stainless steel connectors with black finned aluminum body. Gold plated beryllium copper or passivated stainless steel contacts.

Calibration: VSWR performed across frequency range. Calibration test data available at additional cost.

Weight:

Type N	3.64 Kg/ 8 lbs.
DIN 7/16	3.72 Kg/8.2 lbs.

Physical Dimensions:

Connector	Dimension "A"
Type N Male	281.94 (11.10)
Type N Female	273.81 (10.78)
7/16 DIN Female	291 (11.6)
7/16 DIN Male	311 (12.3)

Note: Dimensions are given in mm (inches) and are maximum, unless otherwise specified.



WEINSCHTEL ASSOCIATES

TEL: 877.948.8342 / 301.963.4630 ♦ Fax: 301.963.8640

WEB: <http://www.WeinschelAssociates.com>

EMAIL: sales@WeinschelAssociates.com