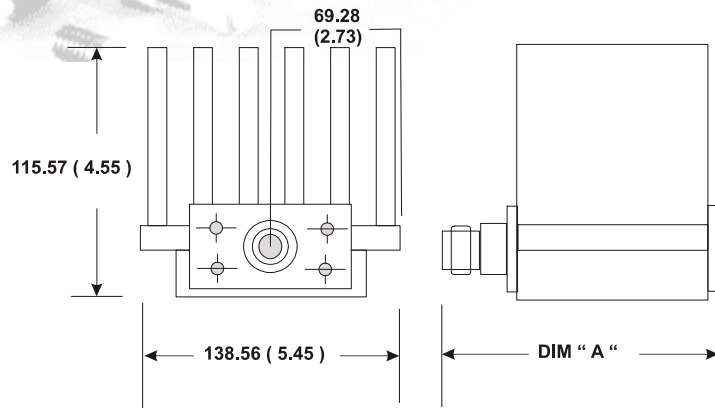
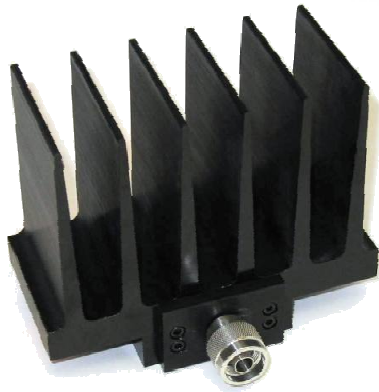


DC – 2.5 GHz

150 Watts



## Features

Stainless Steel Type N or 7/16 DIN M/F connectors per MIL-STD-348A, interface dimensions mate nondestructively with MIL-PRF-39012.

## Specifications

- Nominal Impedance:** 50 ohms
- Frequency Range:** DC – 2.5 GHz
- Operation:** Horizontal or Vertical
- Maximum VSWR:** 1.20

**Calibration:** VSWR performed across frequency range. Calibration test data available at additional cost.

**Power Rating:** 150 watt maximum rated average power to 25°C ambient temperature, mounted horizontally or vertically, (*with unobstructed air flow for natural convection cooling*) de-rated linearly to 0 watts at 125°C, 10 kilowatt peak (5 µsec pulse width; .75% duty cycle).

**Temperature Range:** Full power from -55°C to 100°C, Case temperature. -55°C to 125°C

**Construction:** Passivated stainless steel connectors with black finned aluminum body. Gold plated beryllium copper female contacts or passivated stainless steel male contacts.

### Weight:

- Type N .91 Kg/ 2 lbs.
- 7/16 DIN 1.0 Kg/ 2.2 lbs.

### Physical Dimensions: Connector Options

| Connector          | Dimension "A" |
|--------------------|---------------|
| Type N Male (-4)   | 96.6 (3.8)    |
| Type N Female (-3) | 88.9 (3.5)    |

Note: Dimensions are given in mm (inches) and are maximum, unless otherwise specified



## WEINSCHTEL ASSOCIATES

TEL: 877.948.8342 / 301.963.4630 ♦ Fax: 301.963.8640

WEB: <http://www.WeinschelAssociates.com>

EMAIL: [sales@WeinschelAssociates.com](mailto:sales@WeinschelAssociates.com)