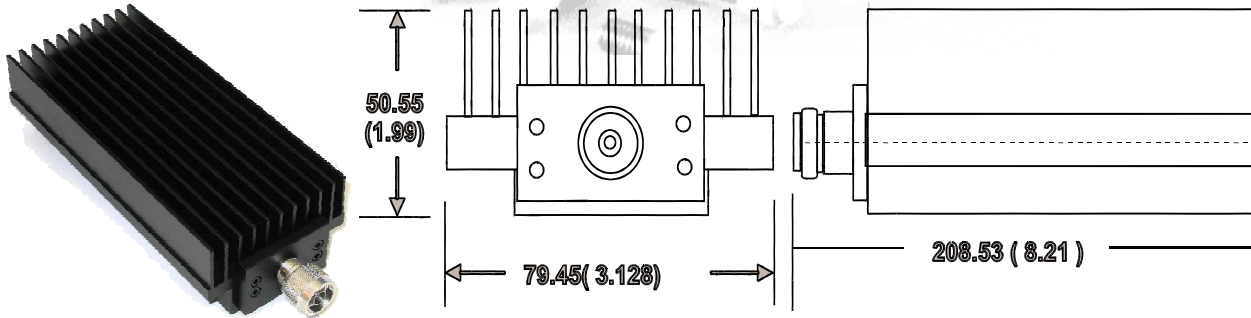


# TERMINATION

# MODEL WA1435

DC – 8.5 GHz

250 WATTS



## Features

Type N or DIN 7/16 stainless steel M/F connectors per MIL-STD-348A, interface dimensions mate nondestructively with MIL-PRF-39012. Designed to meet MIL-DTL-39030 environmental specification. Other connector configurations available.

## Specifications

**Nominal Impedance:** 50 ohms

**Frequency Range:** DC - 8.5 GHz

**Power Rating:** 250 watt CW/ 5KW peak. Maximum rated average power to 25°C ambient temperature, de-rated linearly to 15 watts at 125°C. 5 kilowatt peak (5 µsec pulse width; 1.5% duty cycle).

**Intermodulation (WA1435-X-LIM only):** Reflected IM3 = -100 dBc, nominal, with two input signals with an average power of +43 dBm each.

**Calibration:** VSWR performed across frequency range. Calibration test data available at additional cost.

**Temperature Range:** -55°C to +125°C

**Construction:** Black aluminum alloy body with passivated stainless steel connectors. Gold plated beryllium copper contacts.

**Maximum VSWR:**

Frequency (GHz)	VSWR
DC - 4.0	1.30
4.0 - 8.5	1.45

**Physical Dimensions:**

**Length:** 208.53 (8.21)

**Width:** 79.45 (3.128)

**Height:** 50.55 (1.99)

**Weight:** 1.28 kg/ 2.75 lbs

Note: Dimensions are given in mm (inches) and are maximum ± .05 in., unless otherwise specified.



## WEINSCHEL ASSOCIATES

TEL: 877.948.8342 / 301.963.4630 ♦ Fax: 301.963.8640

WEB: <http://www.WeinschelAssociates.com>

EMAIL: [sales@WeinschelAssociates.com](mailto:sales@WeinschelAssociates.com)

95

Specification  
Subject to change  
without notice