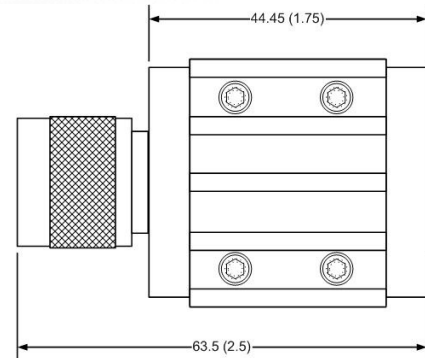
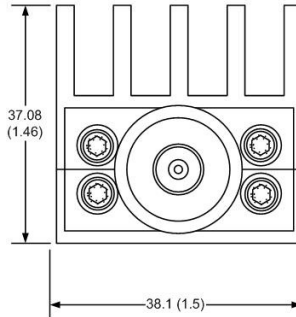


TERMINATION

MODEL WA1434B

DC – 4.0 GHz

25 WATTS



Features

Type N, SMA, or TNC stainless steel connectors per MIL-STD-348A, interface dimensions mate nondestructively with MIL-PRF-39012.

Specifications

Nominal Impedance: 50 ohms

Frequency Range: DC - 4.0 GHz

Power Rating: 25 watts average. Maximum rated average power to 25°C ambient temperature, de-rated linearly to 1.5 watts at 125°C. 5 kilowatt peak (5 µsec pulse width; 1.5% duty cycle).

Temperature Range: -55°C to +125°C

Calibration: VSWR performed across frequency range. Calibration test data available at additional cost.

Construction: Black aluminum alloy body with passivated stainless steel connectors. Gold plated beryllium copper female contacts, stainless steel male contacts.

Maximum VSWR:

Frequency (GHz)	VSWR
DC - 4.0	1.20

Physical Dimensions:

Length:

Connector Type	Length
Type N Female -3 Type N Male -4	60.9 (2.4) 63.5 (2.5)
SMA Female -1 SMA Male -2	58.43 (2.3) 60.99 (2.4)

Weight: 0.17 kg/ 6 oz

Note: Dimensions are given in mm (inches) and are maximum, unless otherwise specified



WEINSCHEL ASSOCIATES

TEL: 877.948.8342 / 301.963.4630 ♦ Fax: 301.963.8640

WEB: <http://www.WeinschelAssociates.com>

EMAIL: sales@WeinschelAssociates.com