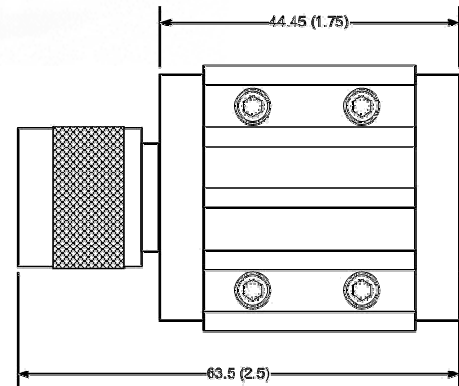
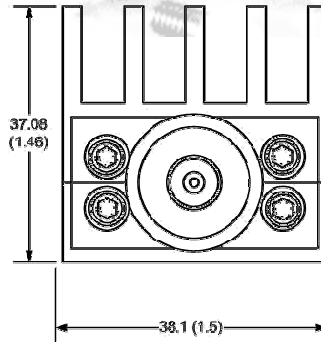
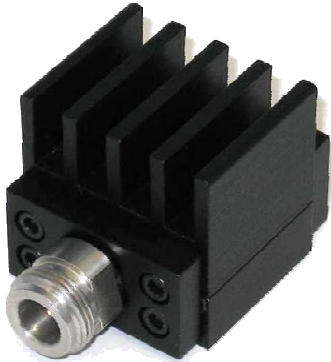


TERMINATION

MODEL WA1433B

DC – 8.5 GHz

25 WATTS



Features

Type N, SMA, or 7/16 DIN stainless steel M/F connectors per MIL-STD-348A, interface dimensions mate nondestructively with MIL-PRF-39012.

Specifications

Nominal Impedance: 50 ohms

Frequency Range: DC -8.5 GHz

Power Rating: 25 watts average. Maximum rated average power to 25°C ambient temperature, de-rated linearly to 1.5 watts at 125° C. 5 kilowatt peak (5 µsec pulse width; 1.5% duty cycle).

Temperature Range: -55°C to +125°C

Calibration: VSWR performed across frequency range. Calibration test data available at additional cost.

Construction: Black aluminum alloy body with passivated stainless steel connectors. Gold plated beryllium copper female contacts, stainless steel male contacts.

Maximum VSWR:

Frequency (GHz)	VSWR
DC - 4.0	1.20
4.0 - 8	1.30

Physical Dimensions:

Length:

Connector Type	Length
Type N Female -3	60.9 (2.4)
Type N Male -4	63.5 (2.5)
SMA Female -1	58.4 (2.3)
SMA Male -2	60.9 (2.4)

Weight: 0.17 kg/ 6 oz

Note: Dimensions are given in mm (inches) and are maximum, unless otherwise specified .



WEINSCHEL ASSOCIATES

TEL: 877.948.8342 / 301.963.4630 ♦ Fax: 301.963.8640

WEB: <http://www.WeinschelAssociates.com>

EMAIL: sales@WeinschelAssociates.com

92

Specification
Subject to change
without notice