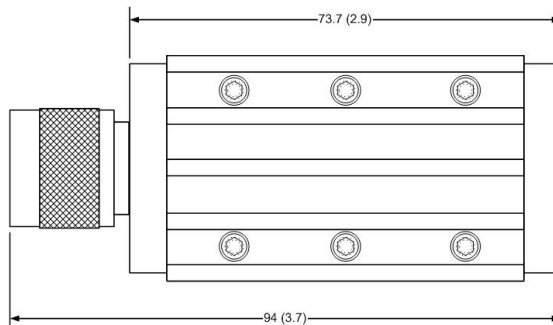
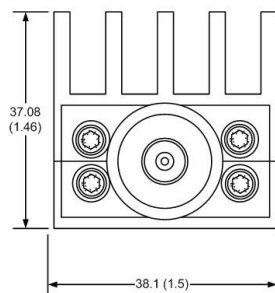


TERMINATION

MODEL WA1426B

DC – 8.5 GHz

50 WATTS



Features

Type N, SMA or TNC connectors per MIL-STD-348A, interface dimensions mate nondestructively with MIL-PRF-39012.

Specifications

Nominal Impedance: 50 ohms

Frequency Range: DC - 8.5 GHz

Power: Full power (50 W) from -55°C to +25°C. Derated linearly to 2.5 W at +125°C. 5 kilowatts peak power.

Temperature Range: -55°C to +125°C.

Maximum VSWR:

Frequency (GHz)	VSWR
DC – 4.0	1.20
4.0 – 8.5	1.30

Calibration: VSWR performed across frequency range. Calibration test data available at additional cost.

Construction: Black aluminum alloy body with passivated stainless steel connectors. Gold plated beryllium copper male and female contacts.

Weight: 0.28 kg/ 10 oz

Physical Dimensions:

Length:

Connector Type	Length
Type N Female -3	88.90 (3.22)
Type N Male -4	97.03 (3.7)

Mounting: Six, 6-32 mounting holes on base.

Note: Dimensions are given in mm (inches) and are maximum, unless otherwise specified



WEINSCHEL ASSOCIATES

TEL: 877.948.8342 / 301.963.4630 ♦ Fax: 301.963.8640

WEB: <http://www.WeinschelAssociates.com>

EMAIL: sales@WeinschelAssociates.com