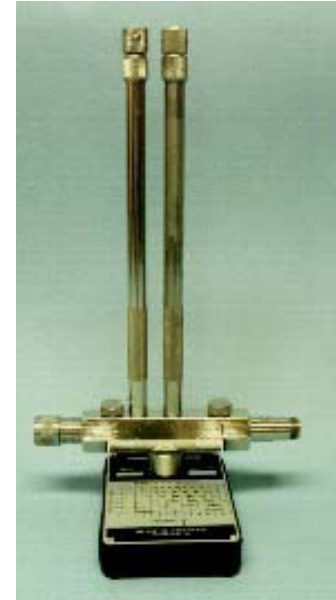
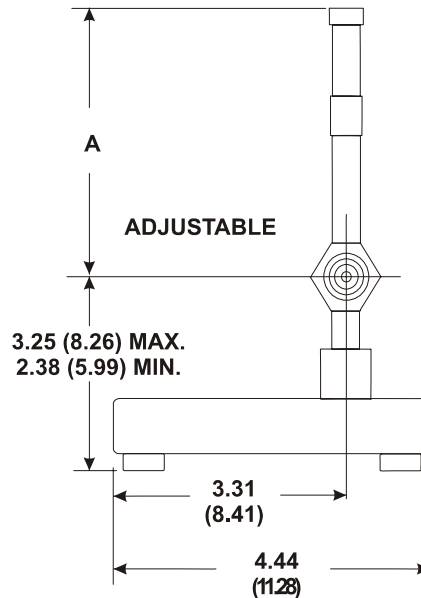
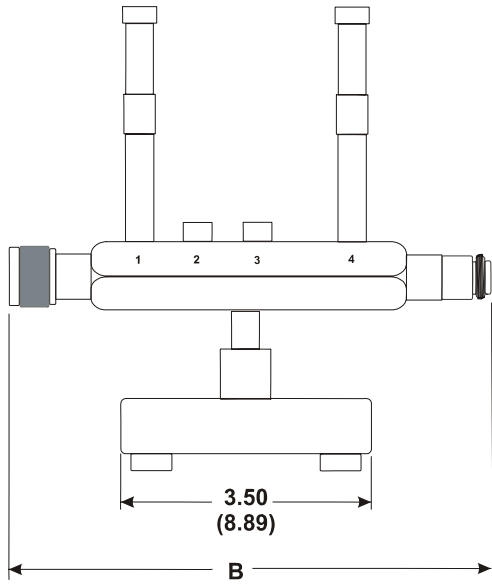


# Double Stub Tuner

# MODEL DS-109

40 MHz – 13 GHz



## Specifications

**Nominal Impedance:** 50 ohms

**Matching Range:** From 7:1 to 1.00 within tuner frequency range.

### Dimensions:

Model No.	DIM "A" *	DIM "B"
DS-109	18.50 (46.49)	7.38 (18.75)
DS-109L	32.50 (82.55)	7.38 (18.75)
DS-109LL	63.25 (160.66)	12.00 (30.48)

Model No.	DS - 109	DS - 109L	DS - 109LL**
Frequency	0.75 – 13.0 GHz	0.4 – 4.0 GHz	0.2 – 2.0 GHz
Length of Stub	70.5 cm.	38cm.	53 cm.
Net Weight	5 lbs. (2.56 kg)	6 lbs. (2.73 kg)	12 lbs. (5.45 kg)
Shipping Weight	8 lbs. (3.64 kg)	9 lbs. (4.38 kg)	15 lbs. (6.82 kg)

**Connectors:** Tuners are equipped with close tolerance, stainless steel Type N, one male, one female, for long life with minimum wear.

### Construction:

\* Stub height is adjustable, maximum value given

\*\* Two pedestals are used for DS-109LL

Note: Dimensions are given in mm (inched). Dimensions are maximum unless otherwise specified



## WEINSCHEL ASSOCIATES

TEL: 877.948.8342 / 301.963.4630 ♦ Fax: 301.963.8640

WEB: <http://www.WeinschelAssociates.com>

EMAIL: [sales@WeinschelAssociates.com](mailto:sales@WeinschelAssociates.com)

Version 1.0.1

Specification  
Subject to  
change without  
notice